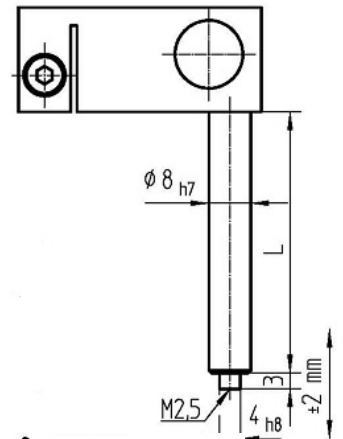
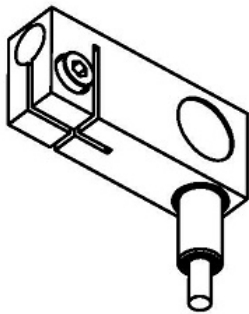
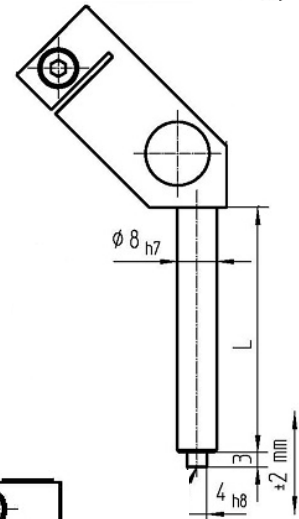
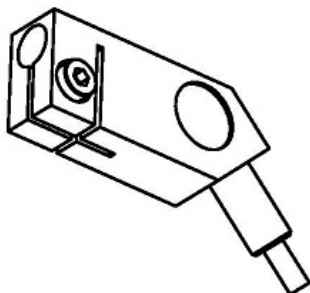


Measuring standardized parts

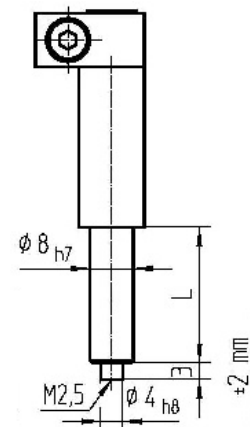
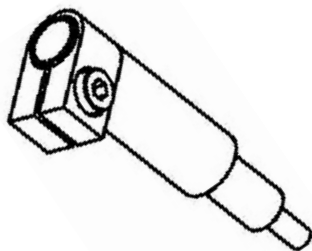
- ▶ Long angular head 90 degrees with 4 mm stroke (Article-no.: 69001)



- ▶ Long angular head 45 degrees with 4 mm stroke (Article-no.: 69002)



- ▶ Long angular head 0 degrees with 4 mm stroke (Article-no.: 69003)



- ▶ Extension insertions for the angular heads

Length (L)	15 mm	25 mm	50 mm	75 mm	100 mm
Article-no.:	69101	69102	69103	69104	69105